

Item No.	Type	Sub	Part No.	Description	Qty	Unit
001			245058-4	HOSE 28-0.25	1	PC.
002			459217-6	HEAD COVER	1	PC.
002	2		413L14-6	HEAD COVER	1	PC.
003			422446-4	RUBBER CAP	2	PC.
004			699129-3	POWER SUPPLY CORD UNIT	1	PC.
005			183L77-3	MOTOR HOUSING SET	1	SET
006			687261-5	STRAIN RELIEF	1	PC.
007			265995-6	TAPPING SCREW 4X18	1	PC.
008			266490-9	TAPPING SCREW PT 2X6	3	PC.
009			620B02-8	CONTROLLER B	1	PC.
010			652069-6	FLAT HEAD SCREW M3X6	3	PC.
011			629409-3	STATOR	1	PC.
012			519567-2	ROTOR ASSY	1	PC.
		INC.		Item No. 13-15		
013			210039-7	BALL BEARING 695DDW	1	PC.
014			210023-2	BALL BEARING 627DDW	1	PC.
015			226888-2	SPUR GEAR 19	1	PC.
016			265995-6	TAPPING SCREW 4X18	4	PC.
018	2		266130-9	TAPPING SCREW BIND PT 3X16	6	PC.
019			253437-2	FLAT WASHER 23	1	PC.
020			226886-6	SPUR GEAR 14	3	PC.
021			212131-5	NEEDLE CAGE 307	3	PC.
022			140J82-1	SPUR GEAR 17 COMPLETE	1	PC.
023			226890-5	INTERNAL GEAR 47	1	PC.
024			226885-8	SPUR GEAR 13	5	PC.
025			140J81-3	CARRIER COMPLETE	1	PC.
026			226889-0	INTERNAL GEAR 43	1	PC.
027			267789-5	FLAT WASHER 18	1	PC.
028			213606-7	O RING 48	1	PC.
029	1		459216-8	* GEAR HOUSING	1	PC.
	2		413828-1	* GEAR HOUSING	1	PC.
030			961052-5	RETAINING RING S-12	1	PC.
031			211150-8	BALL BEARING 6901ZZ	1	PC.
032			253746-9	FLAT WASHER 12	1	PC.
033			210105-0	BALL BEARING 6001LLU	1	PC.
034			327318-7	SPINDLE	1	PC.
035			319823-8	BEARING RETAINER 47	1	PC.
036			265995-6	TAPPING SCREW 4X18	2	PC.
037			459218-4	COVER	1	PC.
038	1		140L62-9	BEARING COVER COMPLETE	2	PC.
	2		140T62-7	BEARING COVER COMPLETE	2	PC.
039			266901-4	TAPPING SCREW 4X14	2	PC.
040	1		459219-2	* BRUSH STOPPER	1	PC.
	2		413829-9	* BRUSH STOPPER	1	PC.
041			266020-6	TAPPING SCREW 4X12	5	PC.
042			140J86-3	BRUSH B COMPLETE	1	PC.
043	1		140J85-5	* BRUSH A COMPLETE	1	PC.
	2		141C96-1	* BRUSH A COMPLETE	1	PC.
044			232510-1	LEAF SPRING	4	PC.
045			199939-3	PAD 210 SET	1	PC.
		INC.		Item No. 46		
046			922323-5	HEX.SOCKET HEAD BOLT M6X16	1	PC.
047	1		459223-1	* HOSE CONNECTOR	1	PC.
	2		413490-2	* HOSE CONNECTOR	1	PC.
048	1		213304-3	* O RING 20 (removed)	1	PC.
049	1		459222-3	* JOINT	1	PC.

Item No.	Type	Sub	Part No.	Description	Qty	Unit
	2		422617-3	* JOINT	1	PC.
050	1		213393-8	* O RING 23 (removed)	1	PC.
051			140N60-5	PIPE A COMPLETE	1	PC.
		INC.		Item No. 68		
052	1		183L76-5	* ARM SET	1	PC.
	2		183T15-3	* ARM SET	1	PC.
053			911113-1	PAN HEAD SCREW M4X10 WITH WR	2	PC.
054			232534-7	LEAF SPRING	2	PC.
055	1		265A35-6	HEX. BOLT M8X17	1	PC.
	2		265A68-1	HEX. BOLT M8X17	1	PC.
056			319808-4	FRAME	1	PC.
058			262561-0	SLEEVE 6	2	PC.
059			911334-5	PAN HEAD SCREW M6X20	2	PC.
060			265995-6	TAPPING SCREW 4X18	4	PC.
061			183L78-1	PIPE HOUSING SET	1	SET
062			459226-5	LOCK RING	1	PC.
063			140J84-7	LOCK SLEEVE COMPLETE	1	PC.
064			140L61-1	PIPE B COMPLETE	1	PC.
		INC.	459225-7	PIPE STOPPER B	1	PC.
066			265995-6	TAPPING SCREW 4X18	4	PC.
067			266050-7	TAPPING SCREW 4X30	3	PC.
068			459224-9	PIPE STOPPER A	1	PC.
069			459228-1	CORD HOLDER	1	PC.
070			913106-4	SET SCREW M4X8	1	PC.
071			140J83-9	INDICATOR PANEL COMPLETE	1	PC.
072			183L75-7	HANDLE SET	1	SET
		INC.	263005-3	RUBBER PIN 6	2	PC.
073			346248-3	CLAMP 24	1	PC.
074			265995-6	TAPPING SCREW 4X18	1	PC.
075	1		459234-6	* DUST NOZZLE	1	PC.
	2		127672-7	* DUST NOZZLE ASSY	1	PC.
076			459229-9	CORD COVER	1	PC.
077			265995-6	TAPPING SCREW 4X18	2	PC.
078			620796-3	DIAL CIRCUIT	1	PC.
079			459230-4	LOCK OFF BUTTON	1	PC.
080			231433-0	COMPRESSION SPRING 4	1	PC.
081			419705-5	LOCK ON BUTTON	1	PC.
082			651083-9	SWITCH C3XA-1PSPM	1	PC.
083			459231-2	SWITCH LEVER	1	PC.
084			231433-0	COMPRESSION SPRING 4	1	PC.
085			620B00-2	CONTROLLER	1	PC.
086			644809-6	TERMINAL	1	PC.
087			855W07-7	DSL800 SERIAL NO. LABEL	1	PC.
089			140F99-0	CAP COMPLETE	1	PC.
		INC.	213218-6	O RING 16	1	PC.
		INC.	818H07-8	CAP LABEL	1	PC.
090			856B07-4	DSL800 NAME PLATE	1	PC.
091			265995-6	TAPPING SCREW 4X18	10	PC.
092			265995-6	TAPPING SCREW 4X18	4	PC.
093			265A68-1	HEX. BOLT M8X22	1	PC.
094	2		347816-5	* EARTH PLATE A	1	PC.
095			412987-8	* RIVET 7	1	PC.

ACCESSORIES

- Visit www.makita.ca for more accessories information -

A01			B-68557	ABR PAPER DISC 120G 25/SE	1	PC.
A02			783217-7	HEX. WRENCH 5	1	PC.
A03			195638-5	TOOL BAG SET	1	PC.
A05			199940-8	PAD 210 (MEDIUM)	1	PC.

Item No.	Type	Sub	Part No.	Description	Qty	Unit
A06			450128-8	BATTERY COVER	1	PC.
A07			DC18RC	CHARGER DC18RC	1	PC.
A08			----	18V LI-ION BATTERY BL1850B	1	PC.
A10			199940-8	PAD 210 (MEDIUM)	1	PC.
A11			199938-5	PAD 220 (HARD)	1	PC.
A12			199937-7	EXTENSION HANDLE SET (Partsbreakdown available)	1	SET
A13			B-68535	ABR PAPER DISC 40G 25/SE	1	SET
A14			B-68541	ABR PAPER DISC 80G 25/SE	1	SET
A15			B-68563	ABR PAPER DISC 180G 25/SE	1	SET
A16			B-68579	ABR PAPER DISC 320G 25/SE	1	SET

SERVICE CHANGES

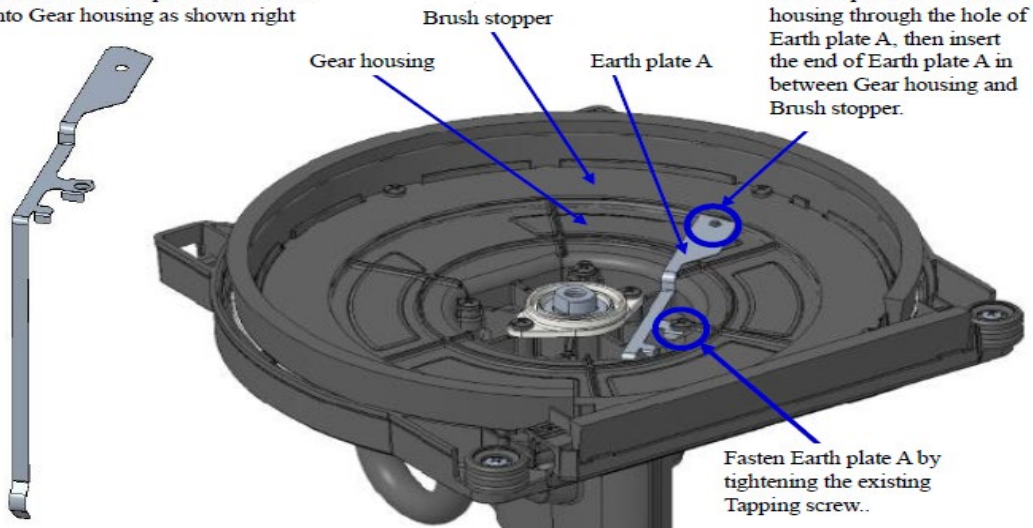
1. Changes on Brush A Com., Gear Housing, Brush Stopper

(T/I#D8475)

Item No.	Description	Type 1	Type 2
043	BRUSH COMPLETE	140J85-5	141C96-1
029	GEAR HOUSING	459216-8	413828-1
040	BRUSH STOPPER	459219-2	413829-9
094	EARTH PLATE A	-----	347816-5

Above parts are completely interchangeable as a set.

[4] Addition of Earth plate A 347816-5 into Gear housing as shown right



2. Changes on Arm Set, Joint, Hose Connector. Elimination of O ring 20, O ring 23

(T/I#DC179)

Item No.	Description	Type 1	Type 2
052	ARM SET	183L76-5	183T15-3
049	JOINT	459222-3	422617-3
047	HOSE CONNECTOR	459223-1	413490-2
048	O RING 20	213304-3	-----
050	O RING 23	213393-8	-----

Above parts are completely interchangeable as a set.

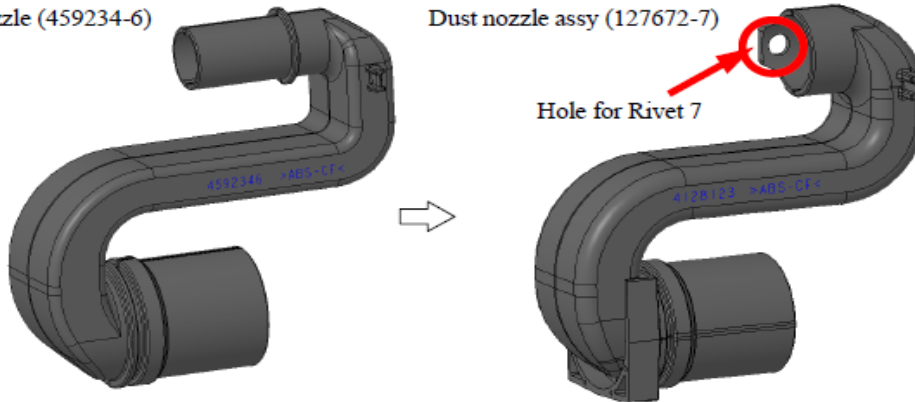
3. Changes on Dust Nozzle

(T/I#DC179)

Item No.	Description	Type 1	Type 2
075	DUST NOZZLE	459234-6	127672-7
095	RIVET 7	-----	412987-8

Above parts are completely interchangeable as a set.

[6] Dust nozzle (459234-6)



[7] Addition of Rivet 7 (412987-8)

